



P.O. BOX 815
DOWAGIAC, MI, 49047
PHONE: (616) 782-9670



Operation Manual & Parts List Model 4826 Abrasive Blast Cabinet

WARNING!! Abrasive blast cabinets produce a powerful flow of abrasive particles. To avoid personal injury and/or property damage, read this manual thoroughly before operating the blast cabinet. It is suggested this manual is kept for reference of blaster model number and replacement parts listing.

**This blast cabinet is set up for use with DRY Abrasive Materials ONLY!
DO NOT MIX FLUIDS WITH BLAST MATERIAL!**

Introduction

Cyclone abrasive blast cabinets are designed for cleaning and finishing with dry blast materials such as glass beads, aluminum oxide, blasting garnet, silicon carbide, sands and walnut shells. The system is sealed at all openings, such as the door, window and bottom of hopper. The blast system will produce several different finishes, depending on the type of blasting material used. An exterior foot pedal controls the air flow, depressing the pedal allows air flow over the orifice, where it creates suction to pull the blast media up through the pick up tube and out the nozzle.

Precautionary Check List

- Always close cabinet door before blasting.
- Make sure all connections are secure.
- Do Not Operate Over 120 PSI.
- Always clean any spilt blasting material from work area. It can cause floors to become slippery.
- Use only 10-15 lbs. blasting material at a time.
- Use lower air pressure to clean soft metals and delicate parts.
- Always keep the blast stream moving in a circular or horizontal motion. Any blast concentrated in one area will result in pitting and uneven blast surfaces.
- **DO NOT USE STEEL SHOT IN THIS BLAST CABINET!** This cabinet is not designed for or set up for steel shot. Use of steel shot in this blast unit will void the warranty and possibly injure the operator!
- **DO NOT USE LIQUID OF ANY KIND IN THIS BLAST CABINET!** Liquids will cause the blast media to clump up and not be picked up by the siphon system. Use of any liquids will void the warranty and could cause damage to the cabinet!

How to Assemble and Install Blast Cabinet

- 1) Open side door, reach into cabinet and screw a max 70 watt flood lamp into socket located just inside the door opening.
- 2) Unattach chain provided from the skid. The chain should be connected to each floor leg extension of the cabinet. Unwrap spring on the back of the cabinet. Open cabinet so that the spring hangs away from the cabinet. Put 'S' hook from the bottom of the spring assembly thru the middle of the chain assembly (that was attached to the skid). This will help assist you in 'easing' the lid back to open it, rather than allowing it to slam or fall back abruptly.
- 3) Take the dust collection system out of the box and assemble according to manufacturer's directions. The dust system hose will fit into the 1 1/4" hole found on the upper left hand side of blast unit. It just slides in - no holding device. Plug dust system and cabinet into a grounded outlet. Both the dust system and blast cabinet have 3 pronged grounded plugs to guard against electric shock. If only 2 pronged receptacle is available, a ground adaptor can be used. Make sure the green lead from the adaptor is properly attached to a grounded wire system. If any extension cords are used, be sure they are in good condition.
Note: The Canadian Electrical Code prohibits the use of 3 pronged adaptors.
- 4) Attach air line from your compressor to the rear of the 1/2" NPT safety ball valve on the left hand side of the blast cabinet. Attach red air hose ALREADY connected to the foot pedal to the 1/4" NPT coupler also on the left hand side of the cabinet using the nylon barb & clamp provided. Attach the other red air hose to the front of the safety ball valve (screw it in & tighten). Screw 1/4" NPT nylon barb provided into the remaining opening in the foot pedal and tighten. Do not over tighten as this will prohibit proper function of the valve plunger. Push the red air hose (just attached to the front of safety ball valve) onto the 1/4" barb on the foot pedal. Fasten with clamp provided.

Suggestions

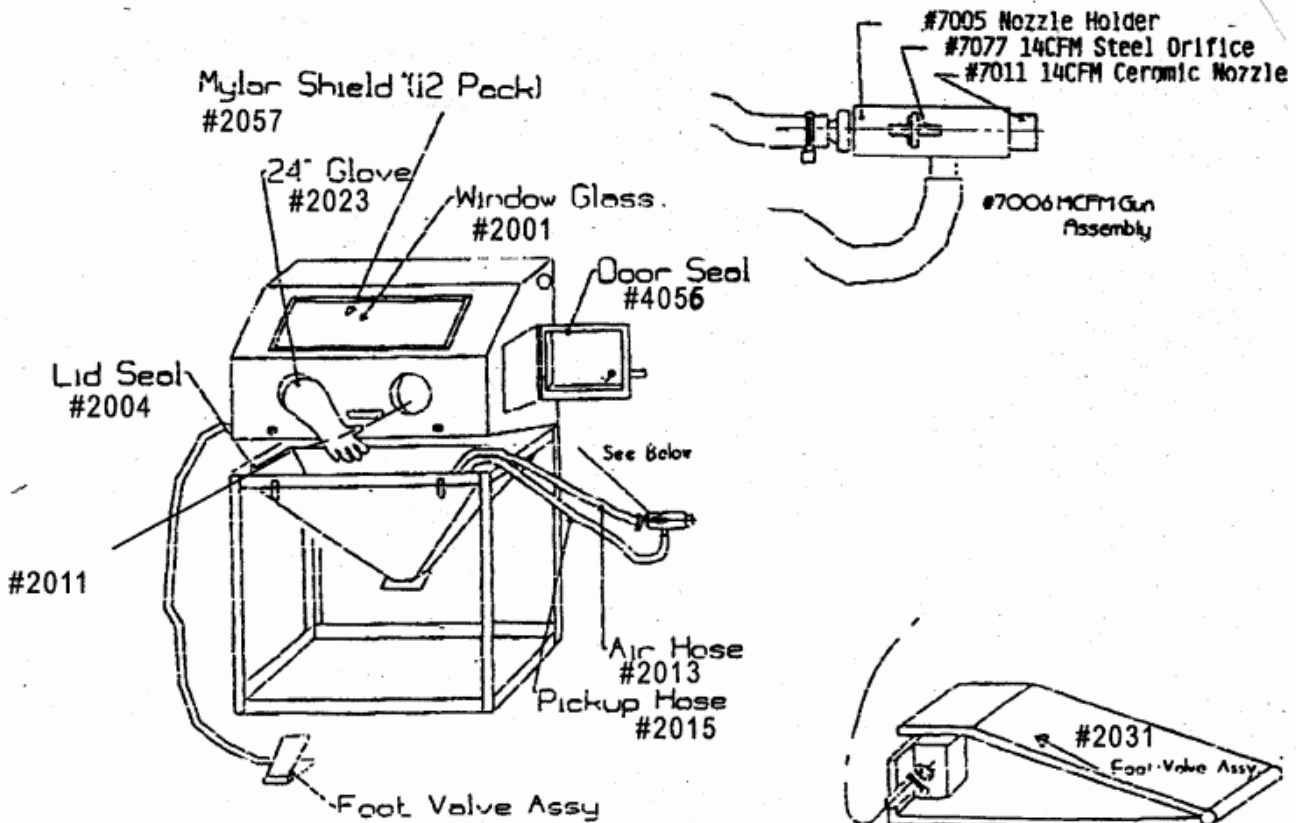
- Obey all applicable electrical and safety codes including the National Electric Code (NEC) and the Occupational Safety & Health Act (OSHA).
- Always read manual before operating equipment. Keep manual as a reference.
- Always unplug the blast cabinet BEFORE any maintenance is done. This includes changing light bulb.
- Note wear on nozzle, orifice and blast material. All of these items can make blast cabinet seem inefficient.
- Call the factory or your distributor if you have any questions regarding this blast cabinet.

Maintenance

- Always disconnect blast cabinet and dust collection system before any maintenance.
- Periodically clean inside of blast cabinet. With dust collection on, detach black abrasive hose from the under side of the blast gun. Close the side door and pull trigger as if to blast. The air coming thru the gun will dislodge any deposits of debris in the cabinet. Unattach the dust collector hose to get any areas missed by the air stream.
- Empty dust collection system frequently. The more the cabinet is used, the more often the dust system should be cleaned out. Also check the cartridge filter for any wear. This filter can be blown off with an air supply to clean.
- Check door gasket and window gasket for wear or damage. If necessary, call your distributor for replacement. Be sure to have model number of blaster handy for faster service.
- To empty out blast material, flip bottom plate down (a spring is attached to a plate and the bars inside of cabinet) and empty material into a pail or bucket. A screen may be put over the pail to strain out debris for reuse.

Trouble Shooting

<u>Problem</u>	<u>Cause</u>	<u>Remedy</u>
Excessive Dust	Dust collection system failing Too much blasting material Blasting material worn	Clean out canister and/or replace filters Remove excess material Replace with new material
Surging	Too much blasting material Pick up tube/hose connection covered	Remove excess material Remove material to expose connection
Inadequate Blast	Blast material worn Gun parts worn Blast material worn Too much air	Replace with new material Replace with new nozzle & orifice Replace with new material Regulate air to 80-100 psi
Lack of Suction	Pick up tube blocked by debris Too much blast material Orifice blocked with debris	Remove debris Remove excess material Remove debris
Static	Change in humidity Faulty ground wiring	Stand on cardboard/rubber mat Install static electric band/ground Check electrical wiring Get lined gloves



Warranty:

Cyclone abrasive blast cabinets are warranted against defects in workmanship or materials in accord with the following terms:

- Warranty extends to the original owner only.
- Warranty does not cover blast cabinets used in commercial rentals.
- Warranty is valid for one year (1) following the date of purchase.
- Warranty does not cover standard wear items such as the nozzle, orifice, blasting material, window glass and gaskets.
- Warranty does not cover misuse of blast cabinet.
- Warranty does not cover blast unit if altered or otherwise changed from original state from the factory.
- WARRANTY DOES NOT COVER DAMAGES IN TRANSIT, IN SUCH CASES, THE RECEIVER SHOULD CONTACT THE FREIGHT CARRIER WITHIN 15 DAYS OF DELIVERY TO FILE A CLAIM. IT IS NOT THE RESPONSIBILITY OF THE MANUFACTURER TO FILE THE CLAIM. IF ANY PARTS SHOULD BE REQUIRED TO FIX A FREIGHT DAMAGED UNIT, THE RECEIVER WILL BE BILLED ACCORDINGLY. THIS BILL CAN THEN BE TURNED OVER TO THE FREIGHT CARRIER.

USERS SHOULD CALL THEIR DISTRIBUTOR OR THE FACTORY UPON INSPECTION OF ANY PROBLEM. A TECHNICAL PERSON CAN ASSIST YOU.

This warranty grants the user certain legal rights. Users and purchasers may also be protected by other rights that vary with location.

Note: Except for the warranties set forth above, Cyclone makes no other warranties of any kind-express or implied. Including warranties of merchantability of fitness of product for a particular purpose.

Replacement Parts List and Accessory Listing

2004	Lid Gasket (Spec. Model)	2028	Door Handle Assembly
2010	Glove Clamp	2031	Foot Valve Assembly
2011	Plastic Glove Insert		
2001	Window Glass	7001	14 CFM Trigger Gun Assembly*
2027	Window Frame	7002	5 CFM Trigger Gun Assembly*
2013	Air Hose (Spec Model)	7006	14 CFM Foot Valve Gun Assembly*
2015	Abrasive Hose w/Tube (Spec Model)	7009	5 CFM Ceramic Nozzle*
2018	Gauge*	7011	14 CFM Ceramic Nozzle
2019	Regulator*	7076	5 CFM Steel Orifice*
2023	24" Unlined Rubber Gloves	7077	14CFM Steel Orifice
4055	Door/Window Gasket	7080	14 CFM Tungsten Carbide Nozzle*
2057	Pack of 12 Window Protection Shields*	7084	5 CFM Tungsten Carbide Nozzle*

*These Items Are Accessories And Can Be Purchased Separately.