



**CYCLONE BLASTING SYSTEMS**  
P.O. BOX 815  
DOWAGIAC, MI 49047  
(269) 782-9670  
(269) 782-9623 FAX

Operating Manual & Parts List

Model 6035

Abrasive Blast Cabinets

**WARNING:** Cyclone Blast cabinets produce a powerful flow of abrasive particles. To avoid personal injury and property damage, read this manual thoroughly before operating. Keep manual handy for future reference and replacement parts list. These units are made for use with dry abrasive media only! Never mix fluids with blast media.

## INTRODUCTION

Cyclone Blasting Systems' abrasive blast cabinets are designed for cleaning, polishing and finishing with dry abrasives such as glass beads, aluminum oxide, blasting garnet and silica sand. An exterior switch controls the interior light and the dust collection system. The cabinets are sealed at all openings, such as the lid, window and bottom hopper. The blasting system can produce finishes from dull to shiney. Depressing the foot valve allows air flow into the mixing head where it is mixed with the blasting media and forced out the nozzle.

## WARNINGS AND CHECK LIST

- ★ Always close cabinet door before blasting.
- ★ Check to make sure all air connections are secure.
- ★ **NEVER OPERATE OVER 120 PSI.**
- ★ Clean up abrasive media from floor and around blasting area. Media is very slippery and can be very hazardous if not cleaned up.
- ★ **CHECK THE DUST COLLECTOR FREQUENTLY AND CLEAN OFTEN.**
- ★ **TO PREPARE THE SYSTEM, POUR 10-15 LBS. OF ABRASIVE MEDIA INTO HOPPER.**
- ★ Excessive air pressure could strain the air supply system and cause rapid deterioration of the media.
- ★ Clean soft metals and delicate parts at lower pressures to prevent undesirable peening. Higher pressures may be used for harder or non-critical parts that require rapid cleaning.
- ★ For best results and to insure even finishing, keep the blast stream moving across all surfaces. A circular motion works well. Hard to clean areas require a more concentrated blast.
- ★ **DO NOT USE STEEL SHOT IN BLAST CABINETS. IT COULD CAUSE DAMAGE TO THE BLAST CABINET.**

## HOW TO ASSEMBLE AND INSTALL

1. Open lid of cabinet and screw flood lamp into socket located in the top portion of the cabinet.
2. Plug dust collector into the outlet next to the switch.
3. Attach the dust collector hose to the hole on the upper left hand side of the cabinet.
4. Plug cabinet into properly grounded outlet. **CAUTION!** This cabinet has a 3-prong grounded plug to protect against shock. It should be plugged into an adequately grounded 3-prong receptical. If only a 2-prong wall receptical is available, a ground adapter can be used. Make sure the green lead from the adapter is properly attached to a suitable electrical ground such as a grounded water pipe, properly grounded metallic raceway or grounded wire system.  
**NOTE:** The Canadian Electrical Code prohibits the use of 3-prong adaptors.
5. Attach the air supply to the inlet connection. The blast cabinet must be linked to an air compressor capable of supplying a minimum of 14CFM at 100 psi for continuous use.

### **SUGGESTIONS:**

- ★ Obey all applicable electrical and safety codes including the National Electric Code (NEC) and the Occupational Safety and Health Act (OSHA).
- ★ Use extension cords that are in good condition to avoid electrical shock.
- ★ Read manual before operating or plugging in abrasive blast cabinet.
- ★ Always unplug blaster before changing light bulb to avoid electrical shock or damage to lampholder.
- ★ Always check air vents in rear of cabinet for blockage.
- ★ Abrasive media can wear out. Replace when it is powdery or if it is not cleaning well.

### **MAINTENANCE:**

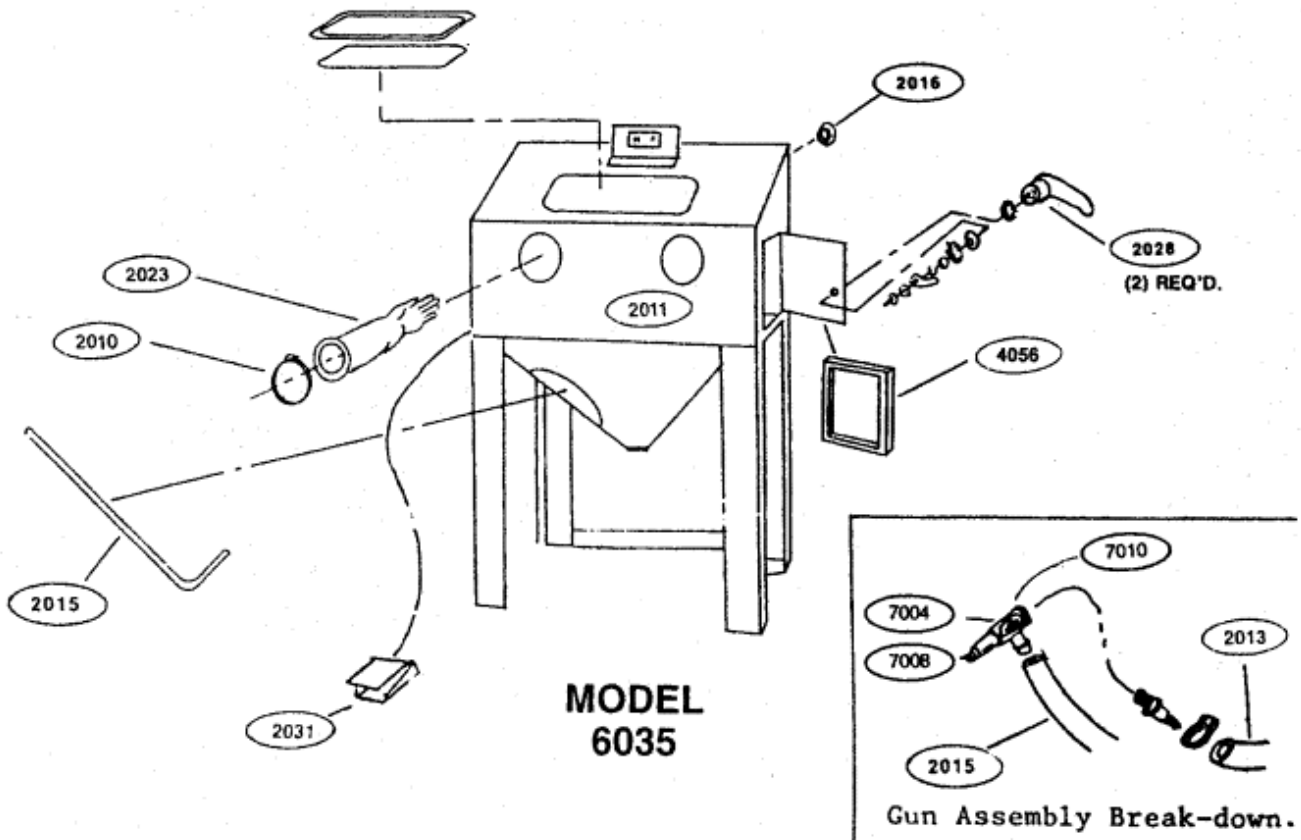
- ★ Disconnect air and power before maintenance.
- ★ Clean inside of cabinet periodically. Detach abrasive hose from gun. Use air supply to dislodge any media deposits in cabinet, let dust collection system clear the blaster.
- ★ The view window may become frosted or cloudy causing decreased visibility. Replacement windows are available at your Cyclone dealership.
- ★ Empty canister dust collection system often and inspect filter bag. Replacement filter bags are available at your Cyclone dealership. An unmaintained canister could result in motor burn out!

### **IMPORTANT!**

- ★ **ABRASIVE MEDIA WILL BREAK DOWN AFTER USE. THIS WILL CREATE EXCESSIVE DUST IN CABINET AND WILL CAUSE PROBLEMS WITH DUST COLLECTOR.**
- ★ **THIS IS NOT A MAINTENANCE-FREE MACHINE. YOU MUST CLEAN THE INSIDE OF CABINET FREQUENTLY, CLEAN DUST COLLECTOR AND CHANGE MEDIA ON A REGULAR BASIS FOR THE BLASTER TO BE IN PROPER WORKING ORDER.**
- ★ **FAILURE TO FOLLOW MAINTENANCE PROCEDURES WILL RESULT IN POOR WORK QUALITY OF BLASTER, POSSIBLE DUST COLLECTOR FAILURE AND EXCESSIVE DUST IN AND AROUND CABINET. THIS WILL NOT BE COVERED BY WARRANTY.**

### TROUBLE-SHOOTING YOUR BLASTER

Problem	Cause	Remedy
Excessive Dust	Dust collection system malfunctioning	Empty canister & replace, or clean filter bag
	Abrasive media worn out	Replace media
	Too much media	Remove excess
Uneven blasting action	Too much media	Remove excess media
	Moisture present in air line	Install moisture trap
	End of abrasive hose covered	Move media away from end of tube
Inadequate speed or efficiency of blast	Media worn out	Replace media
	Worn out gun parts	Inspect parts; adjust or replace
Poor blast pattern	Nozzle worn	Replace nozzle
Static electricity	Dry weather conditions	Install static electricity band



## Warranty:

Cyclone abrasive blast cabinets are warranted against defects in workmanship or materials in accord with the following terms and conditions:

- Warranty extends to the original user only and does not cover cabinets used in commercial rentals.
- Warranty is valid for (1) year following date of purchase.
- Warranty does not cover normal wear parts such as nozzles, orifices, windows or abrasive media.
- Warranty does not cover misuse or operation not in compliance with these instructions.
- WARRANTY DOES NOT COVER DAMAGES IN TRANSIT!! IN CASES OF SUCH DAMAGE, REFUSE SHIPMENT AND CALL THE FREIGHT COMPANY IMMEDIATELY! THEN FILE A CLAIM WITH THE FREIGHT COMPANY. FAILING TO OPEN BOXES UPON DELIVERY CAN LEAD TO CONSEALED DAMAGE — WHICH MOST FREIGHT COMPANIES WON'T PAY FOR!

Users should call the Cyclone dealer upon inspection of a problem. A Cyclone technical person will assist you.

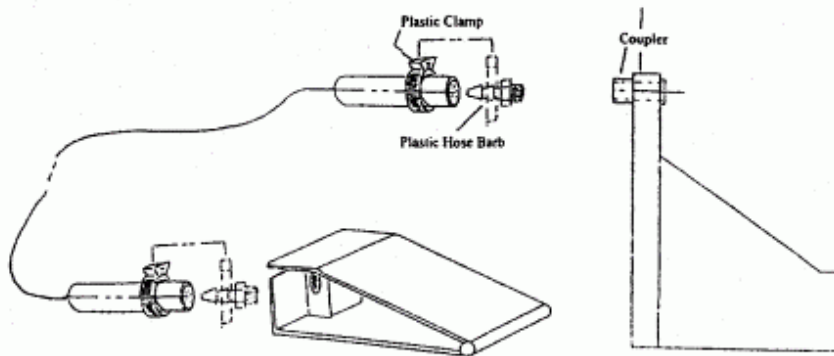
This warranty grants the user(s) certain legal rights. Users and purchasers may also be protected by other rights which vary with location.

Note: Except for the warranties set forth above, CYCLONE makes no other warranties of any kind, express or implied. Including warranties of merchantability of fitness of product for a particular purpose.

## Replacment Parts List

2003	Static Electricity Band	7004	20 CFM Orifice
4056	Door Seal	7006	14 CFM Gun Assembly
2010	Glove Clamp	7008	20 CFM TC Nozzle
2015*	Abrasive Hose w/Tube * Spec. Model	7009	5 CFM Ceramic Nozzle
2016	3" Vent	7010	20 CFM Nozzle Holder
2023	24" Rubber Gloves	7011	14 CFM Ceramic Nozzle
		7076	5 CFM Steel Orifice
2028	T-Handle Assembly	7077	14 CFM Steel Orifice
2031	Foot Valve Assembly	7080	14 CFM TC Nozzle
2013	Air Hose	7084	5 CFM TC Nozzle
7000	Complete 20 CFM Gun Assembly	2011	Plastic Glove Insert

\* Glass should be purchased locally



### 5 Steps to Installing a Foot Valve on your Cyclone Blasting Cabinet:

2. Apply a lubricant to the plastic hose barb on the other side of the regulator and then slide the end of the red hose from the footvalve onto the hose barb.
3. Place the blue clamp over the hose and about 1/4" from the end. Squeeze the clamp with pliers to secure.
4. Connect the proper air line fittings to the safety valve on the foot valve. These fittings are not supplied!
5. If the gun inside the cabinet has a trigger mechanism use a wire tie to secure the trigger in the open position.

6035